
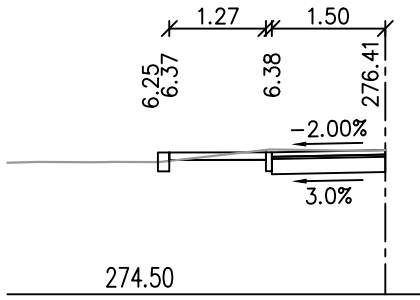


Souřadnicový systém: S–JTSK

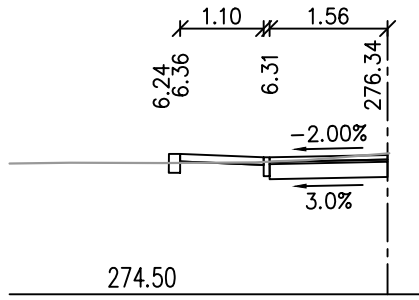
Výškový systém: BPV

|   |  |  |                       |
|---|--|--|-----------------------|
|  NDCon s.r.o.<br>Zlatnická 10/1582, 110 00 Praha 1, Česká republika, tel.: +420 251 019 231, IČ: 64939511, DIČ: CZ64939511 |  |  |                       |
| Vypracoval:<br>Ing. Jan Gallia  |  | Vedoucí projektu:<br>Ing. Jan Gallia     |                       |
| Kreslil:<br>Bc. Vojtěch Dlouhý  |  | Odpovědný projektant:<br>Ing. Jan Gallia |                       |
| Investor:<br><b>Městská část Praha 20</b><br>Jívanská 647/10, 193 00 Praha 9  |  | Autorizace:                              |                       |
| Stavba:<br><br><b>Chodníky v ulici Chodovická</b>   |  |  |                       |
| Část:<br>D. Dokumentace objektu SO 101  |  | Formát:<br>210x297                       | Datum:<br>11/2022     |
| Obsah:<br>Příčné řezy   |  | Stupeň:<br>DUSP/DPS                      | Č. zakázky:<br>894/22 |
|   |  | Měřítko:<br>1:100                        | Č. přílohy:<br>D.4.   |

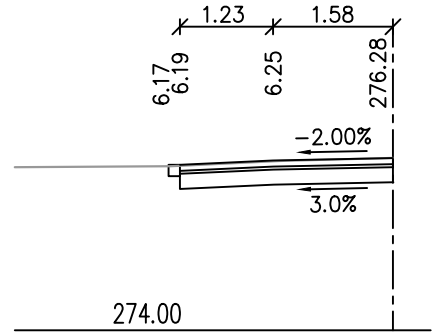
PR: 1  
0.000 00



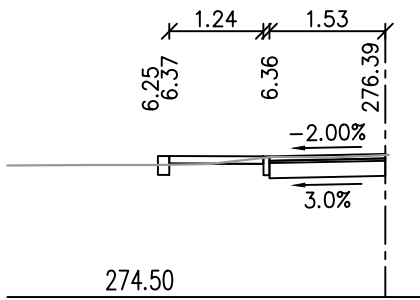
PR: 5  
0.020 00



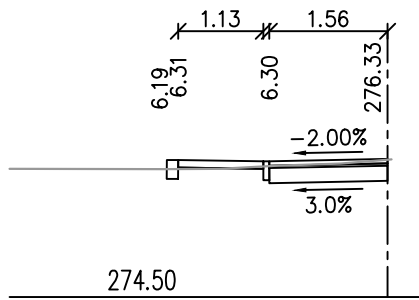
PR: 9  
0.040 00



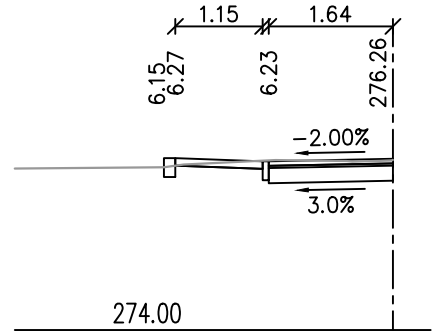
PR: 2  
0.005 00



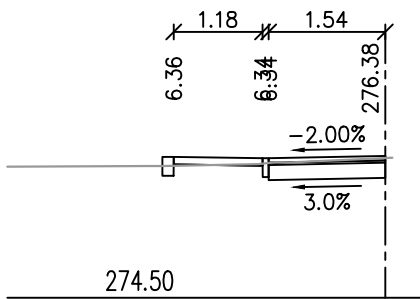
PR: 6  
0.025 00



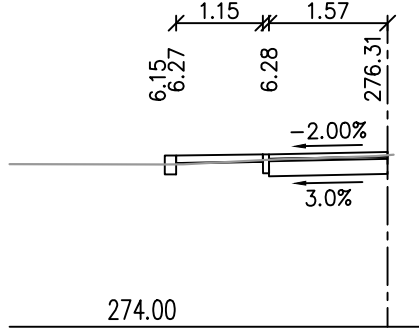
PR: 10  
0.045 00



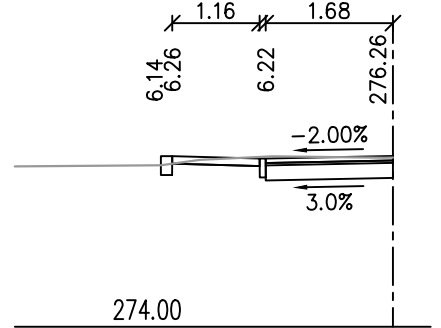
PR: 3  
0.010 00



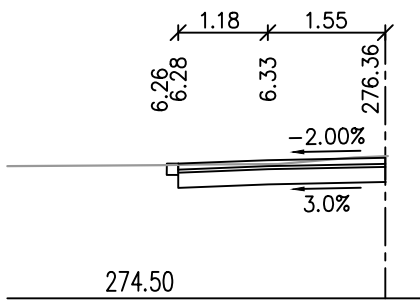
PR: 7  
0.030 00



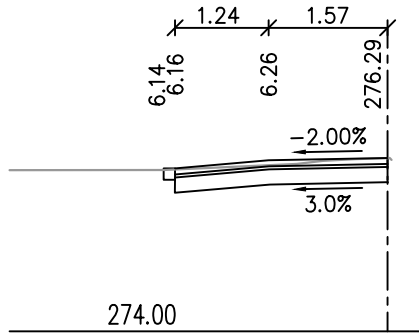
PR: 11  
0.050 00



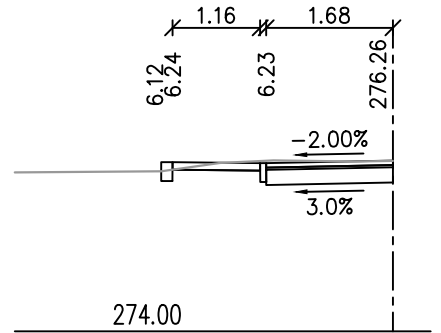
PR: 4  
0.015 00



PR: 8  
0.035 00

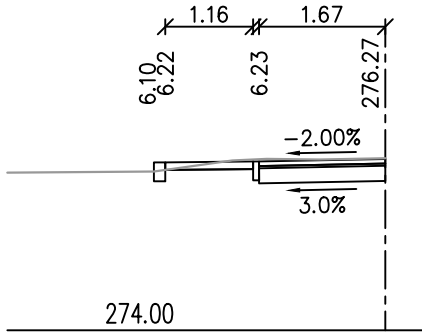


PR: 12  
0.055 00

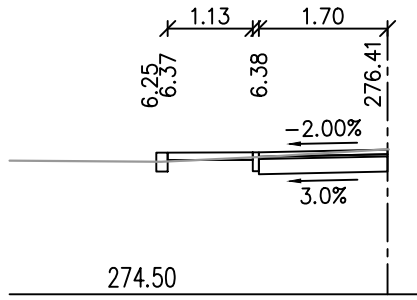


SO 101.1

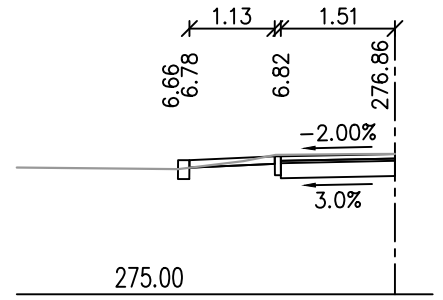
PR: 13  
0.060 00



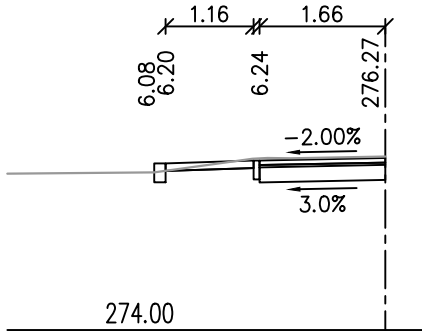
PR: 17  
0.080 00



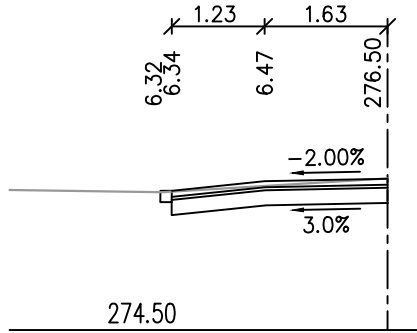
PR: 21  
0.100 00



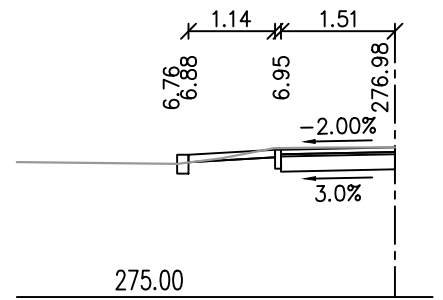
PR: 14  
0.065 00



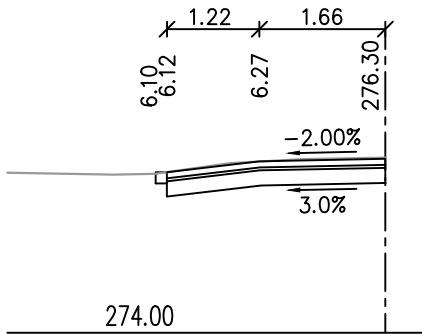
PR: 18  
0.085 00



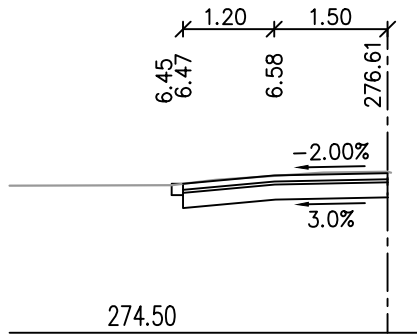
PR: 22  
0.105 00



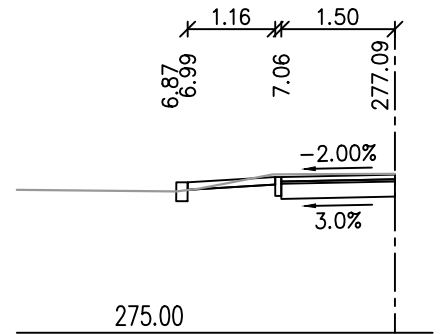
PR: 15  
0.070 00



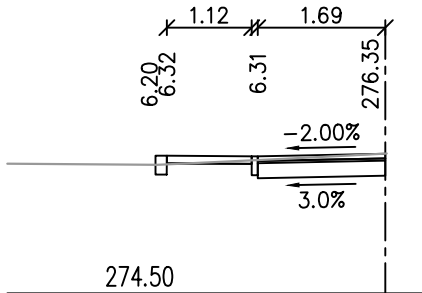
PR: 19  
0.090 00



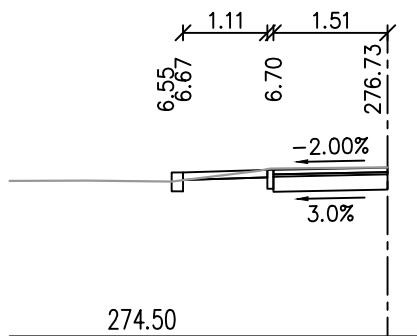
PR: 23  
0.110 00



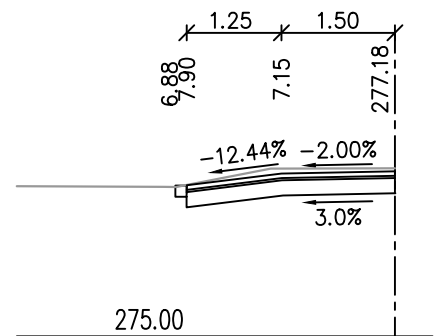
PR: 16  
0.075 00



PR: 20  
0.095 00

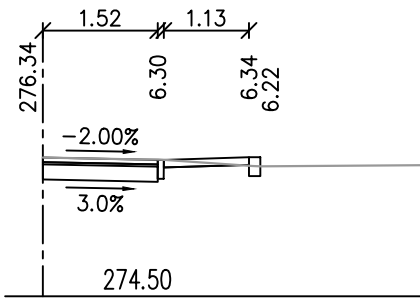


PR: 24  
0.115 00

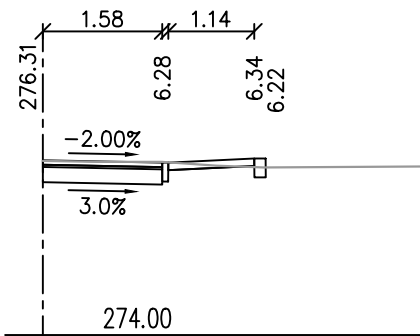


SO 101.2

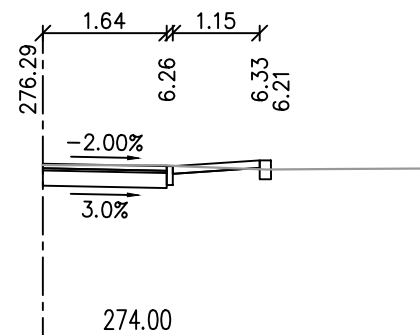
PR: 1  
0.000 00



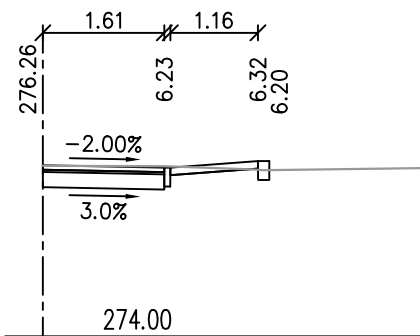
PR: 2  
0.005 00



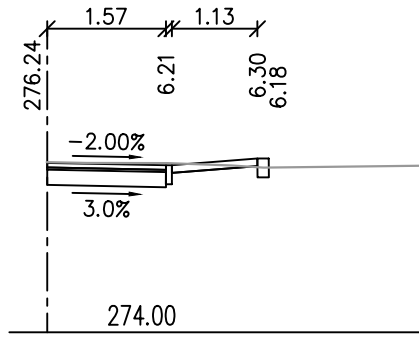
PR: 3  
0.010 00



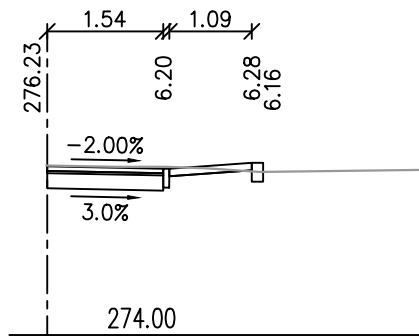
PR: 4  
0.015 00



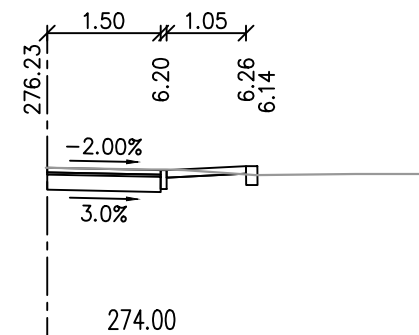
PR: 5  
0.020 00



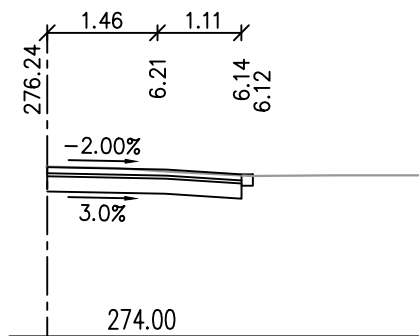
PR: 6  
0.025 00



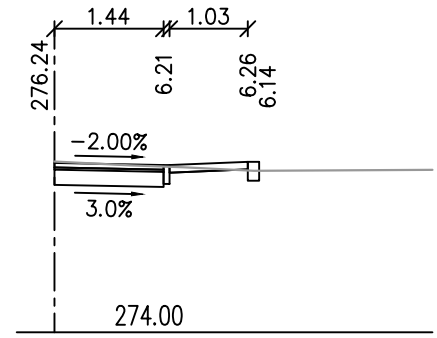
PR: 7  
0.030 00



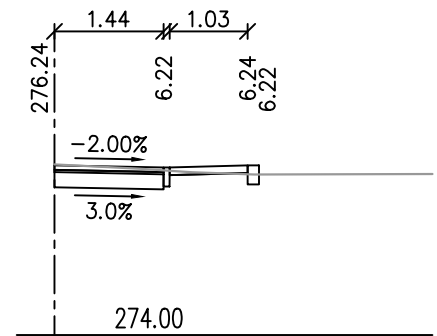
PR: 8  
0.035 00



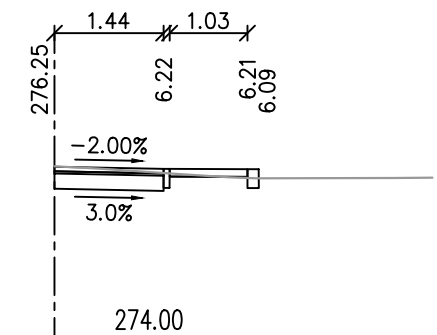
PR: 9  
0.040 00



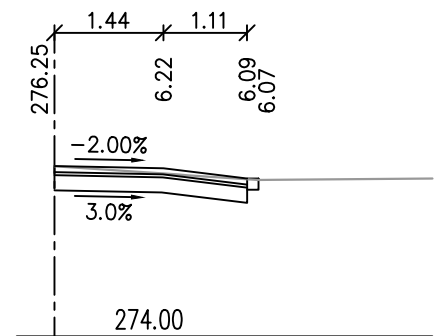
PR: 10  
0.045 00



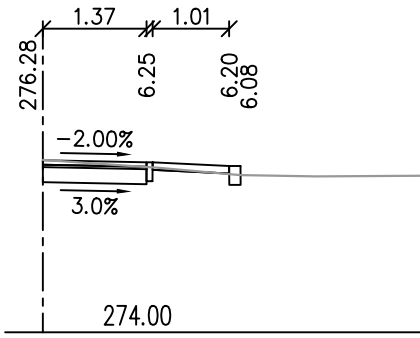
PR: 11  
0.050 00



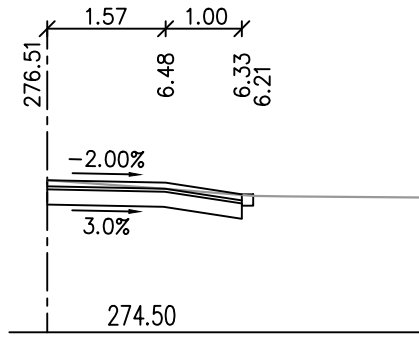
PR: 12  
0.055 00



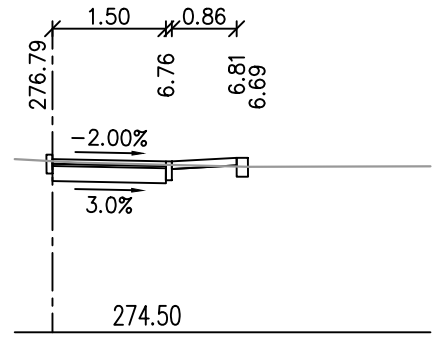
SO 101.2  
PR: 13  
0.060 00



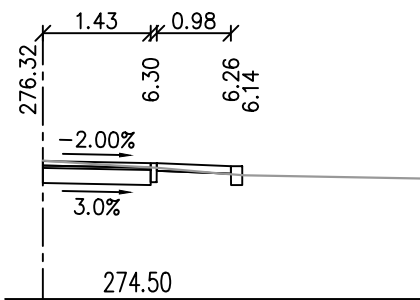
PR: 17  
0.080 00



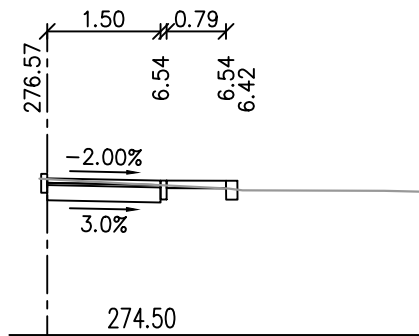
PR: 21  
0.100 00



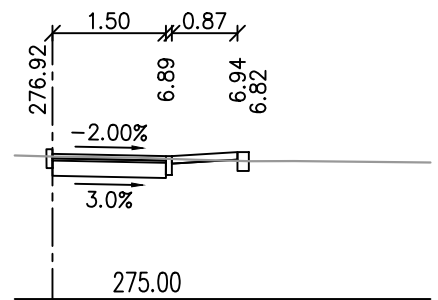
PR: 14  
0.065 00



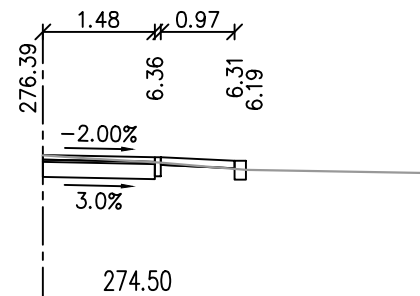
PR: 18  
0.085 00



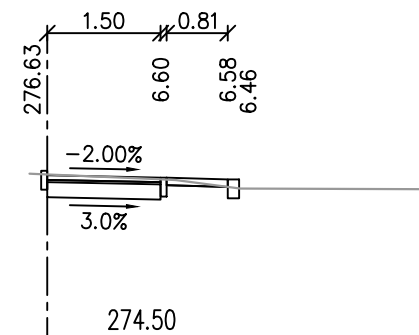
PR: 22  
0.105 00



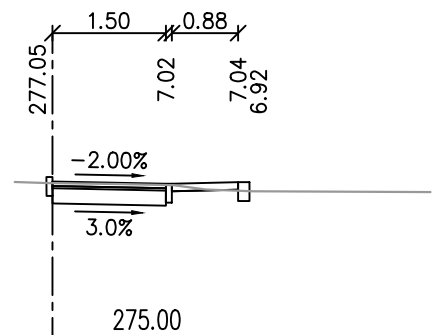
PR: 15  
0.070 00



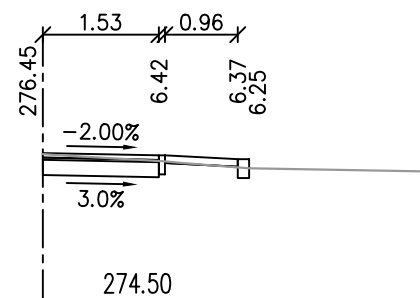
PR: 19  
0.090 00



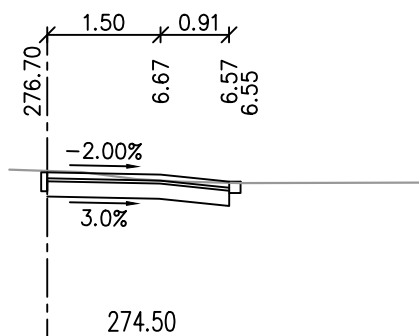
PR: 23  
0.110 00



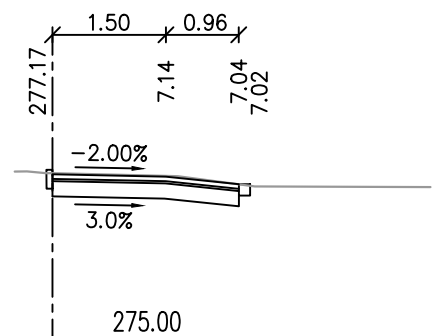
PR: 16  
0.075 00



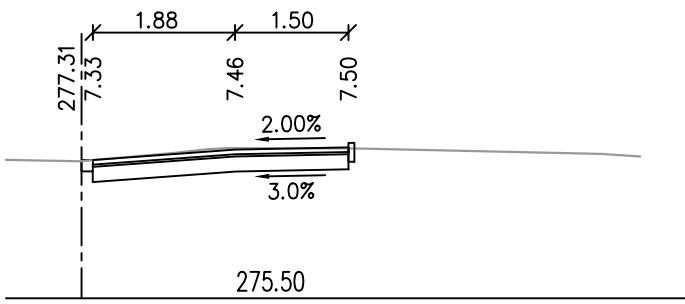
PR: 20  
0.095 00



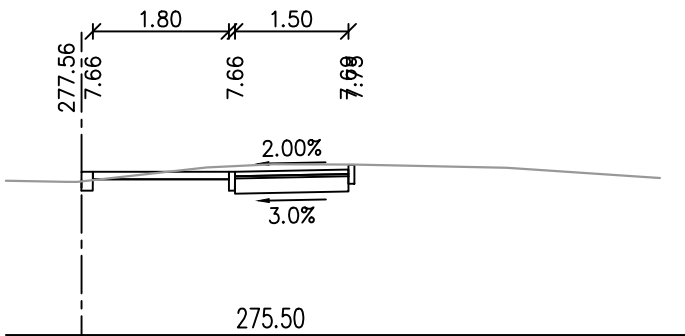
PR: 24  
0.115 00



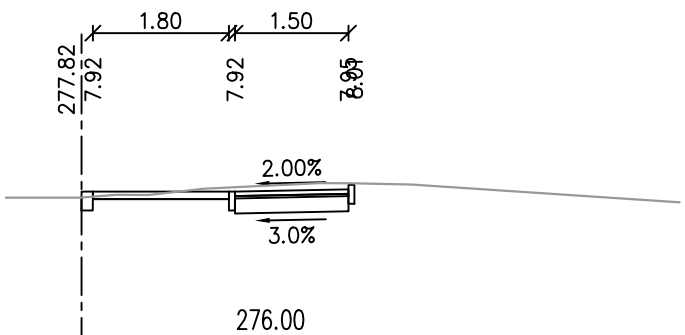
PR: 1  
0.010 00



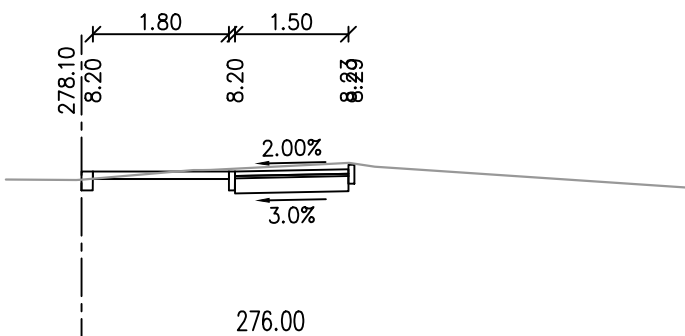
PR: 2  
0.015 00



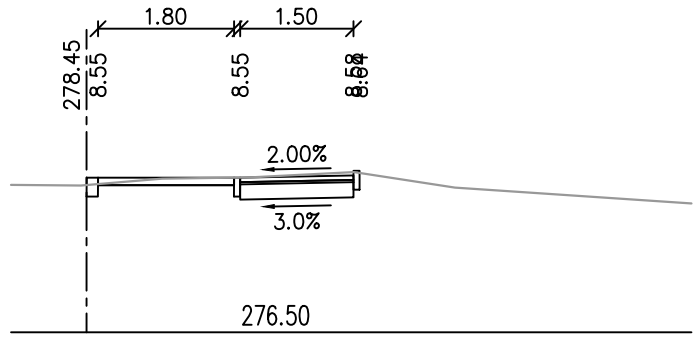
PR: 3  
0.020 00



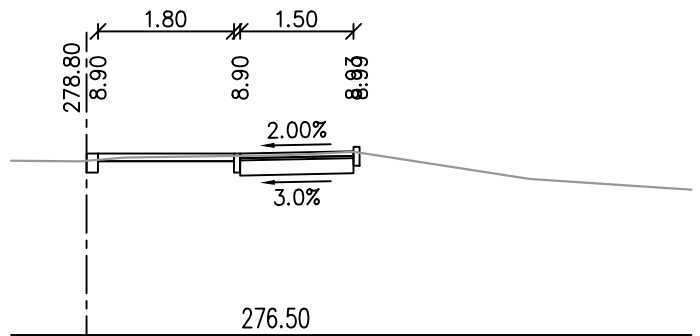
PR: 4  
0.025 00



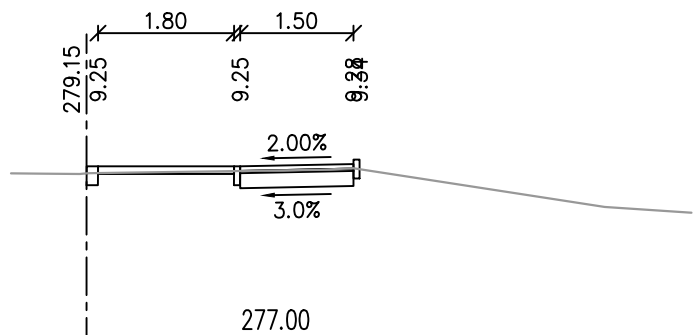
PR: 5  
0.030 00



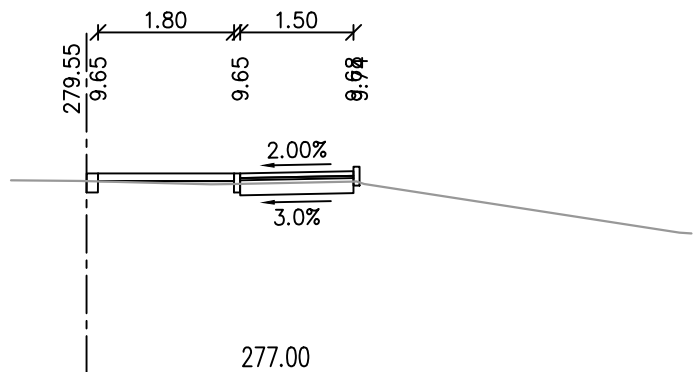
PR: 6  
0.035 00



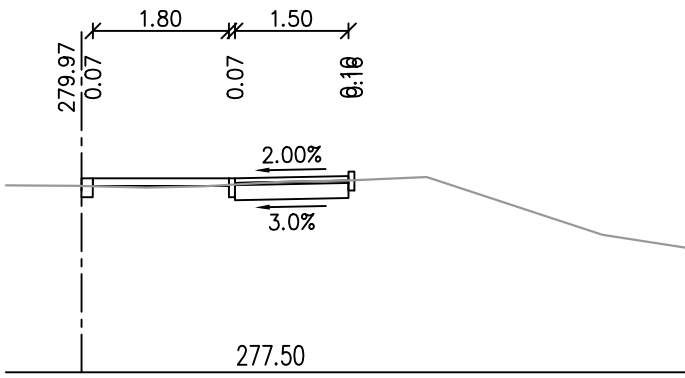
PR: 7  
0.040 00



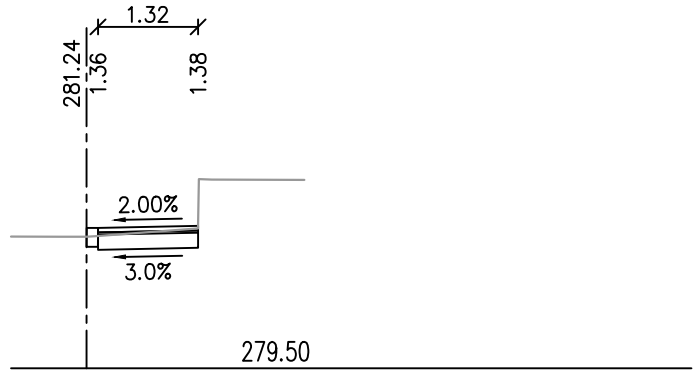
PR: 8  
0.045 00



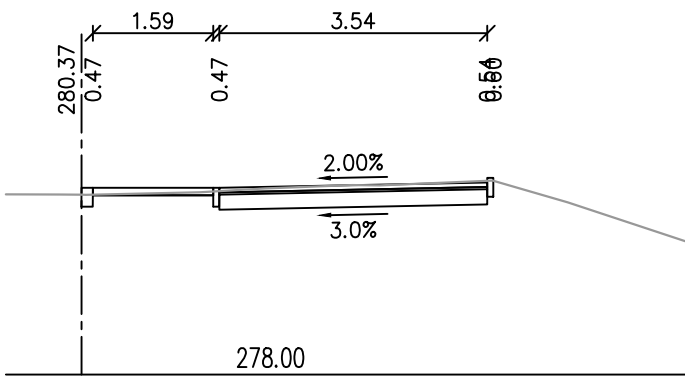
SO 101.3  
PR: 9  
0.050 00



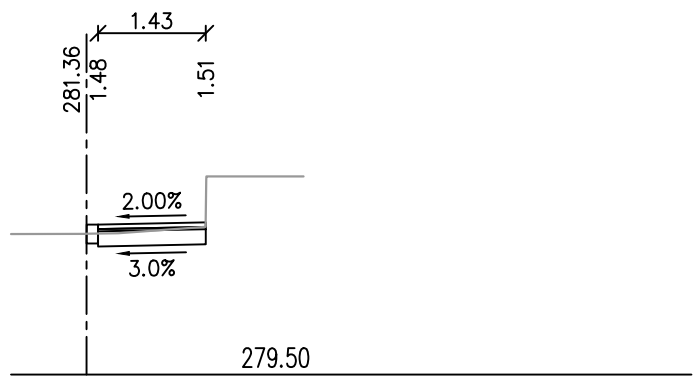
PR: 13  
0.070 00



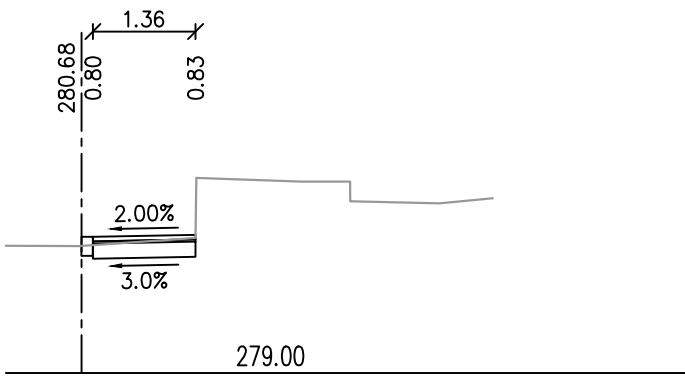
PR: 10  
0.055 00



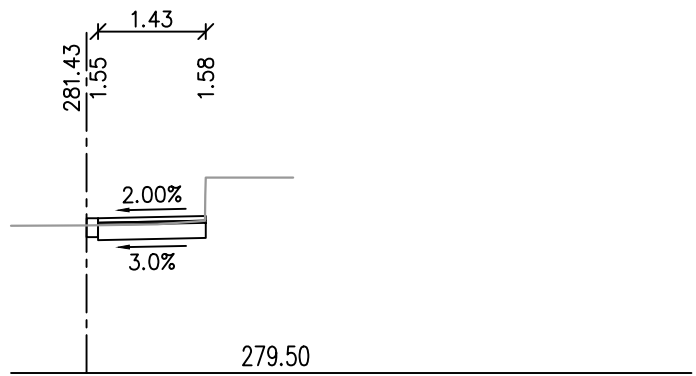
PR: 14  
0.075 00



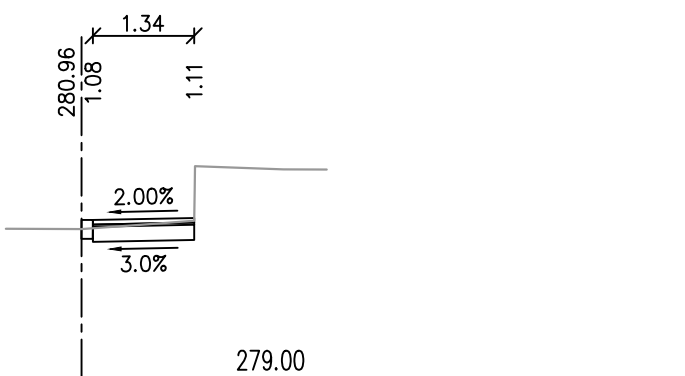
PR: 11  
0.060 00



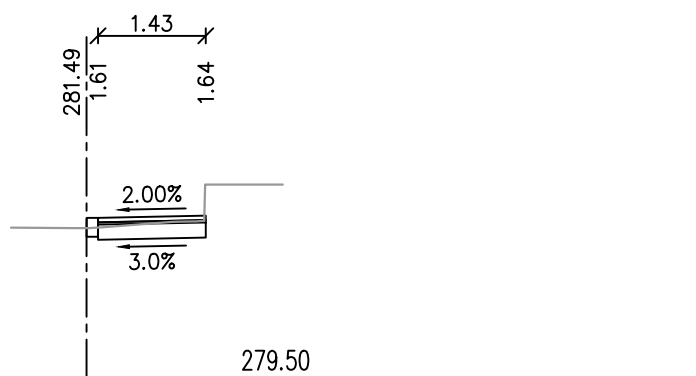
PR: 15  
0.080 00



PR: 12  
0.065 00

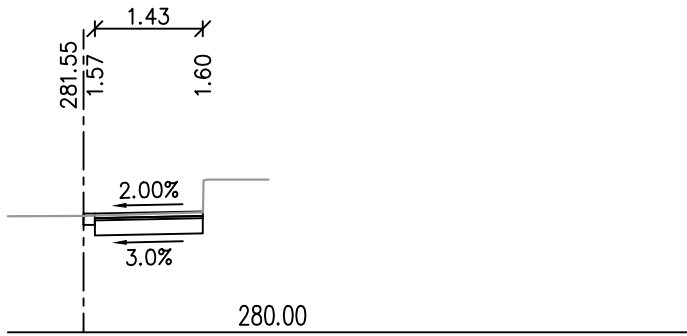


PR: 16  
0.085 00

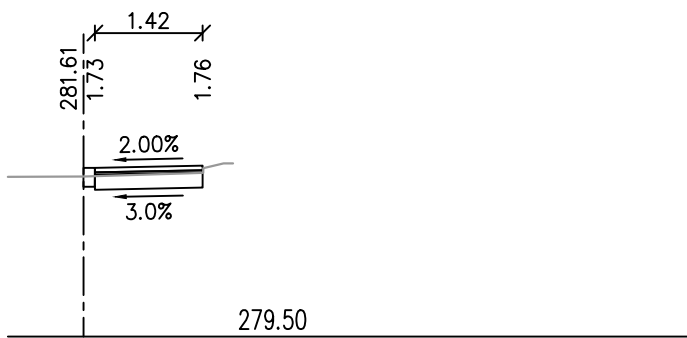


SO 101.3

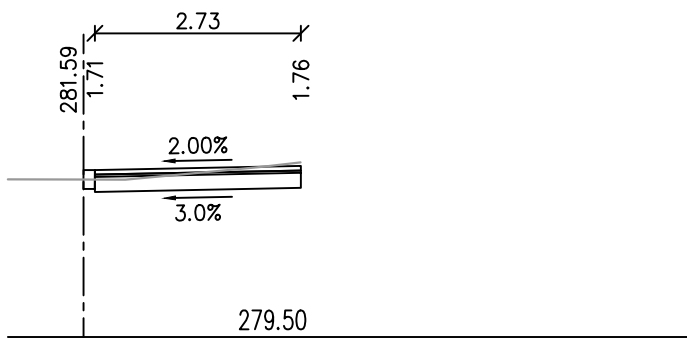
PR: 17  
0.090 00



PR: 18  
0.095 00

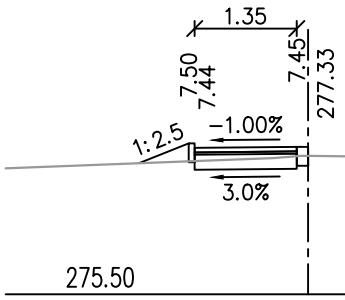


PR: 19  
0.100 00

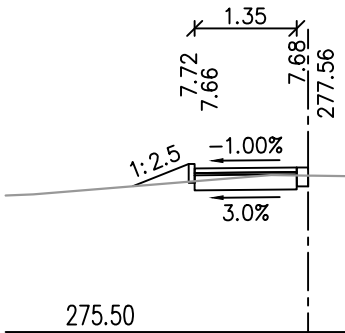




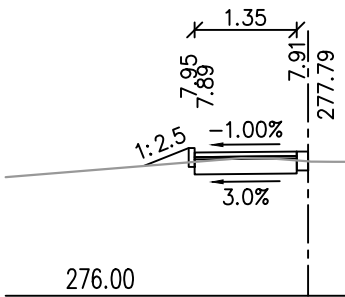
PR: 1  
0.005 00



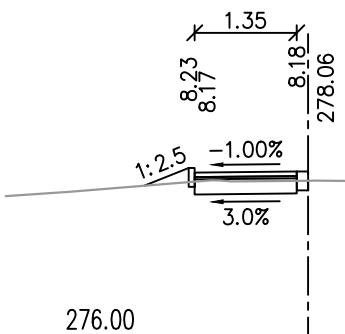
PR: 2  
0.010 00



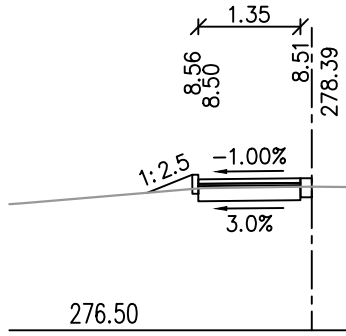
PR: 3  
0.015 00



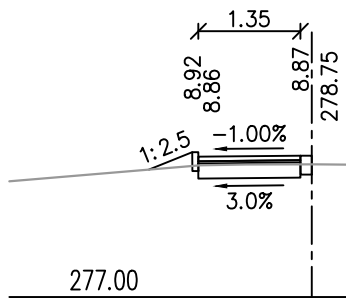
PR: 4  
0.020 00



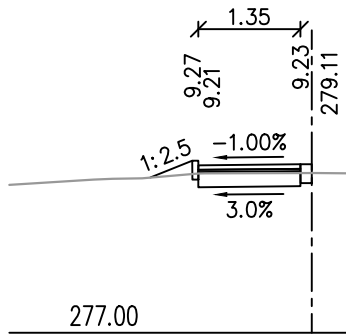
PR: 5  
0.025 00



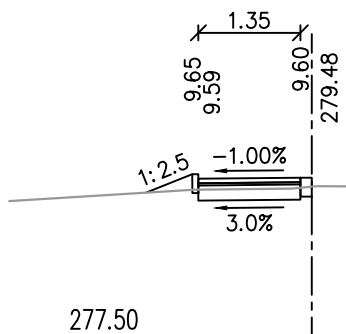
PR: 6  
0.030 00



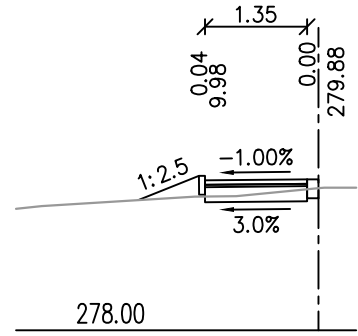
PR: 7  
0.035 00



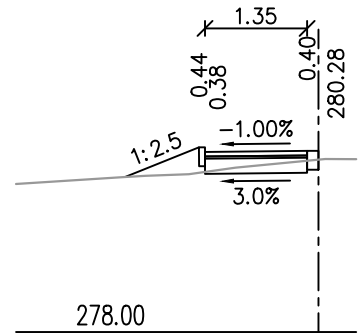
PR: 8  
0.040 00



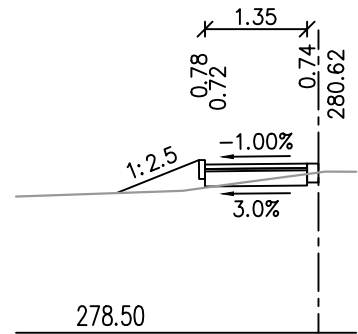
PR: 9  
0.045 00



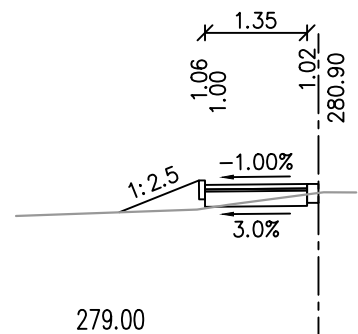
PR: 10  
0.050 00



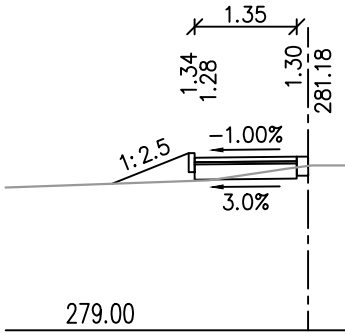
PR: 11  
0.055 00



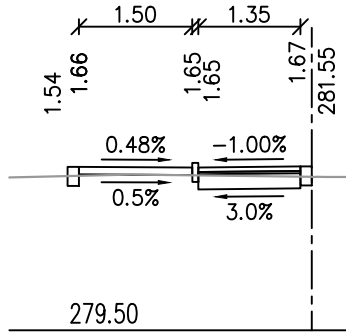
PR: 12  
0.060 00



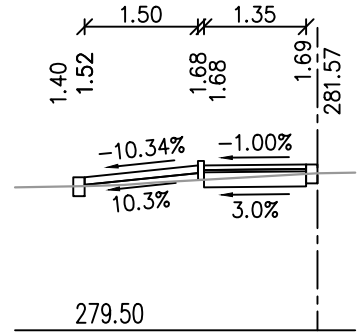
PR: 13  
0.065 00



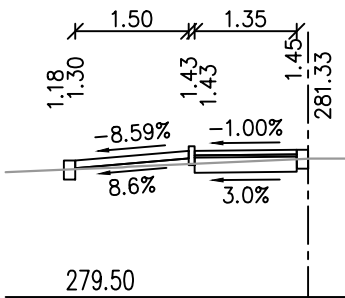
PR: 17  
0.085 00



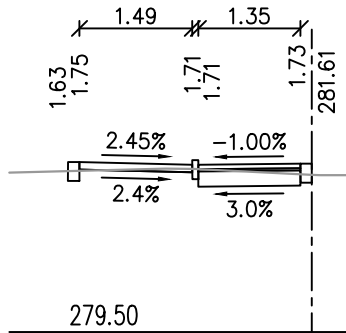
PR: 21  
0.105 00



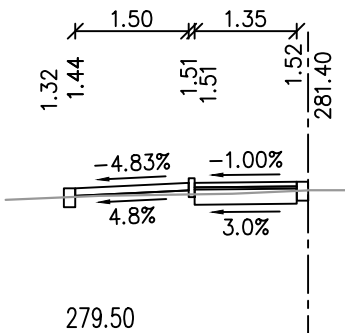
PR: 14  
0.070 00



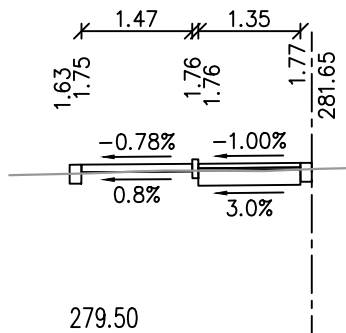
PR: 18  
0.090 00



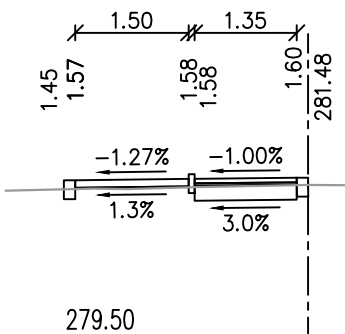
PR: 15  
0.075 00



PR: 19  
0.095 00



PR: 16  
0.080 00



PR: 20  
0.100 00

